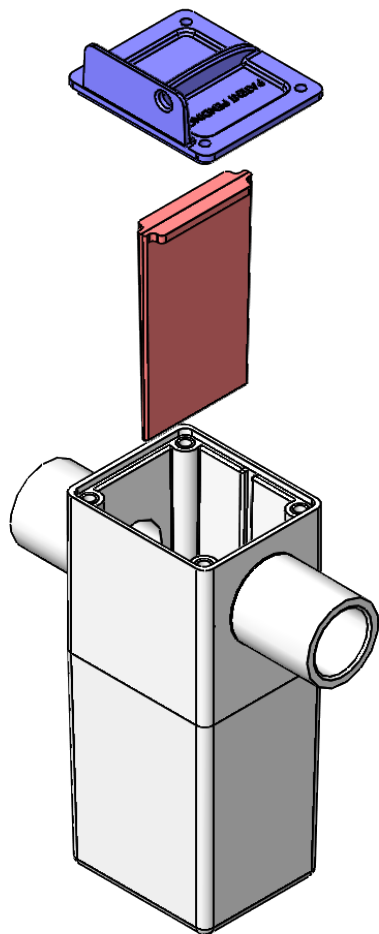
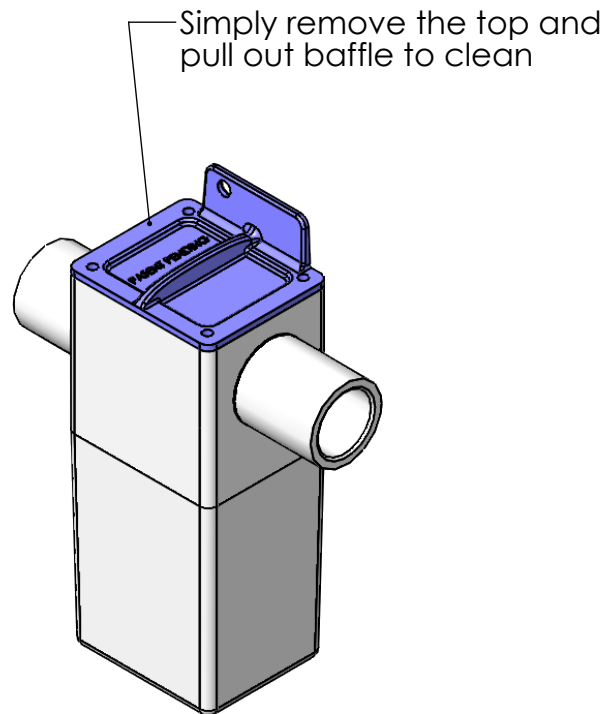


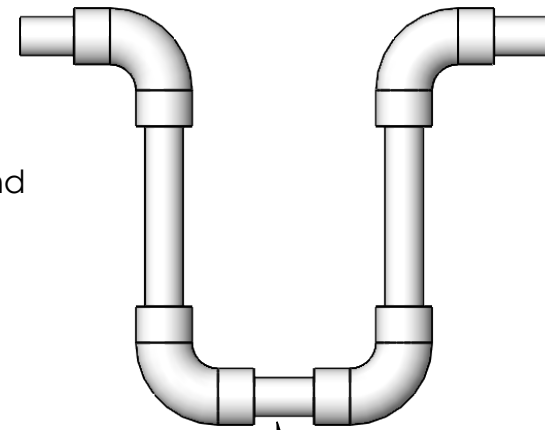
Flow direction can be changed, from right to left, by rotating cap 180 degrees



If the system is too big to take to the truck for cleaning, you can remove the baffle and easily send a snake through your drain to clean



## OLD TRAP DESIGN



Perfect algae trap with all of the sharp corners in standard elbow fittings

These traps are not snake friendly and are custom built on every sight (Advantage AC DRAIN TRAP)

## AC DRAIN

TITLE: 3/4" ROOF TOP TRAP KIT

1" ROOF TOP TRAP KIT

SIZE	DWG. NO.	REV
<b>A</b>	ACD-4000-DT ACD-1100-DT	