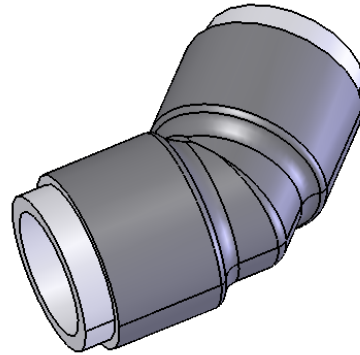
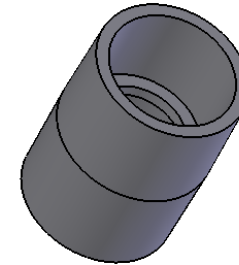


**ACD-1090**

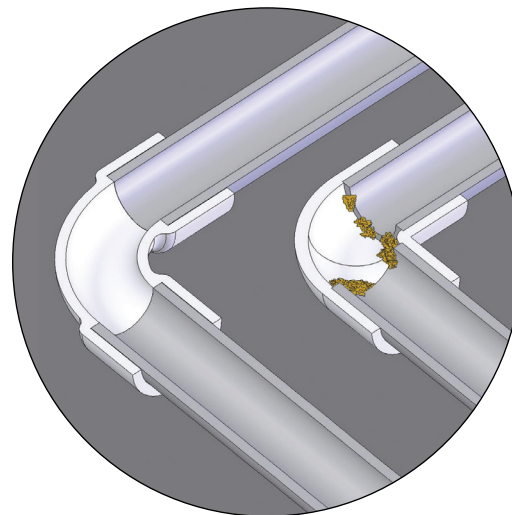


**ACD-1045**



**ACD-100**

***Instead of conventional elbows used in the drain line  
AC-DRAIN has developed a smooth-line elbow that will prevent  
standing water at the section where the pipe meets the elbow.  
This is the first place where algae starts its growth.***



## **AC DRAIN**

TITLE: **AC FLEXLINE  
ELBOW 45  
ELBOW 90**

|                |         |                                           |      |
|----------------|---------|-------------------------------------------|------|
| SIZE: <b>A</b> | DWG.NO. | <b>ACD-1045<br/>ACD-1090<br/>ACD-1000</b> | REV: |
|----------------|---------|-------------------------------------------|------|